

# Multi-axis controller V6 / VV6



The multi-axis controller V6 / VV6 is available in either single-axis or multi-axis options and is a robust controller used commonly in electro-hydraulic applications. The modular design and many possibilities of combination with our handles enables the switching device to be used universally. The V6 / VV6 is resistant to oil, maritime conditions e.g. offshore / vessels, UV radiation typically from the sun.

## Technical data

Mechanical life V6	10 million operating cycles
Mechanical life VV6	20 million operating cycles
Operation temperature	-40°C til +60°C
Degree of protection	IP 54 front



	V62L	S5	P	T	- 01 Z P	+ 03A R C	- A05 P134	+ A110 C01	- X
<b>Basic unit</b>									
V62L 2-axis left									
<b>Control-handle extended</b>									
S5 -20 mm									
<b>Gate</b>									
P Cross gate									
<b>Grip / palm grip</b>									
T Dead man									
<b>Axis 1 (direction 1-2)</b>									
01 2 Contacts (2A 250V AC15)									
Z Spring return									
P Potentiometer									
<b>Axis 2 (direction 3-4)</b>									
03A 6 Contacts (4A 250V AC15)									
R Friction brake									
C Opto-electronical encoder									
<b>Description axis 1 (direction 1-2)</b>									
A05 Arrangement MS 21									
P134 Potentiometer T396 2x5 kOhm									
<b>Description axis 2 (direction 3-4)</b>									
A110 Arrangement MS 24-0									
C01 OEC 2-1-1									
<b>Special model</b>									
X Special / customer-specific									

Technical details may vary based on configuration or application! Technical data subject to change without notice!

# Multi-axis controller V6 / VV6

## Combination possibilities with our ball handles



1

V62L S5 P T - 01 Z P + 03A R C - A05 P134 + A110 C01 - X

### Basic unit

- V61L 1-axis left
- V61R 1-axis right
- V61.1 1-axis
- V64.1 1-axis
- V62L 2-axis left
- V62R 2-axis right
- V64 2-axis

### reinforced version

- VV61L 1-axis left
- VV61R 1-axis right
- VV61.1 1-axis
- VV64.1 1-axis
- VV62L 2-axis left
- VV62R 2-axis right
- VV64 2 axis

### Control-handle extended\*

Standard 180 mm

- S3 -40 mm
- S5 -20 mm
- S8 +20 mm

\*Only available in combination with handle!

### Gate

- P Cross gate
- P X Special gate

### Grip / palm grip

Knob (standard)

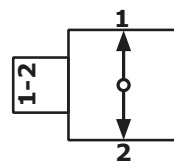
- M Mechanical zero interlock
- MN Mechanical zero interlock (push down)
- T Dead man
- MT\* Mechanical zero interlock + dead man
- H Signal button
- MH Mechanical zero interlock + signal button
- D Push button
- MD\* Mechanical zero interlock + push button
- DV Flush push button
- MDV\* Mechanical zero interlock + flush push button

\*Only possible with VV6!

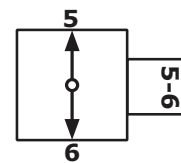
B... Palm grip B... (see Palm grip page 128)

Attention! When using some handles reduces the deflection angle to 28 degrees!

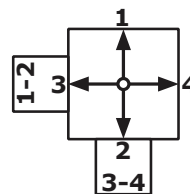
### Identification of the installation variants with switching directions:



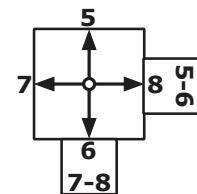
V61L/VV61L



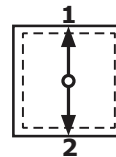
V61R/VV61R



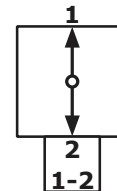
V62L/VV62L



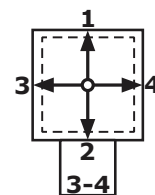
V62R/VV62R



V64.1/VV64.1



V61.1/VV61.1



V64/VV64

V62L S5 P T - 01 Z P + 03A R C - A05 P134 + A110 C01 - X

### Axis 1: direction 1-2 left / direction 5-6 right

(Standard contacts gold-plated 2A 250V AC15)

01	<input type="checkbox"/>	2 contacts	Standard contact - arrangement see page 106	
02	<input type="checkbox"/>	4 contacts	z.B.	
03	<input type="checkbox"/>	6 contacts	A980	MS 00
04	<input type="checkbox"/>	8 contacts	A05	MS 21
05	<input type="checkbox"/>	10 contacts	A0500	MS 21-00
06	<input type="checkbox"/>	12 contacts	A110	MS 24-0
	<input checked="" type="checkbox"/>	A = silver contacts (4A 250V AC15)	A99 contact - arrangement according customer request	

Z Spring return

R Friction brake

(P) Possibility of mounting potentiometer and encoder (Gessmann-types)

P	Potentiometer	P131	T396 2x0,5 kOhm	I max. 1 mA
		P132	T396 2x1 kOhm	I max. 1 mA
		P133	T396 2x2 kOhm	I max. 1 mA
		P134	T396 2x5 kOhm	I max. 1 mA
		P135	T396 2x10 kOhm	I max. 1 mA

*More potentiometer on request!*

C Encoder C... Encoder see page 118

If both axis identical, it's enough to describe one axis!

Beispiel A05P134 + A05P134 => A05P134

V62L S5 P T - 01 Z P + 03A R C - A05 P134 + A110 C01 - X

### Axis 2: Direction 3-4 left / Direction 7-8 right

*(not applicable to V/VV61, V/VV61.1, V/VV64.1)*

(Standard contacts gold-plated 2A 250V AC15)

01	<input type="checkbox"/>	2 contacts	Standard contact - arrangement see page 106	
02	<input type="checkbox"/>	4 contacts	z.B.	
03	<input type="checkbox"/>	6 contacts	A980	MS 00
04	<input type="checkbox"/>	8 contacts	A05	MS 21
05	<input type="checkbox"/>	10 contacts	A0500	MS 21-00
06	<input type="checkbox"/>	12 contacts	A110	MS 24-0
	<input checked="" type="checkbox"/>	A = Silver contacts (4A 250V AC15)	A99 contact - arrangement according customer request	

Z Spring return

R Friction brake

(P) Possibility of mounting potentiometer and encoder (Gessmann-types)

P	Potentiometer	P131	T396 2x0,5 kOhm	I max. 1 mA
		P132	T396 2x1 kOhm	I max. 1 mA
		P133	T396 2x2 kOhm	I max. 1 mA
		P134	T396 2x5 kOhm	I max. 1 mA
		P135	T396 2x10 kOhm	I max. 1 mA

*More potentiometer on request!*

C Encoder C... Encoder see page 118

# Multi-axis controller

## V6 / VV6



V62L S5 P T - 01 Z P + 03A R C - A05 P134 + A110 C01 - X

### Special model

X Special / customer-specific

### Special model

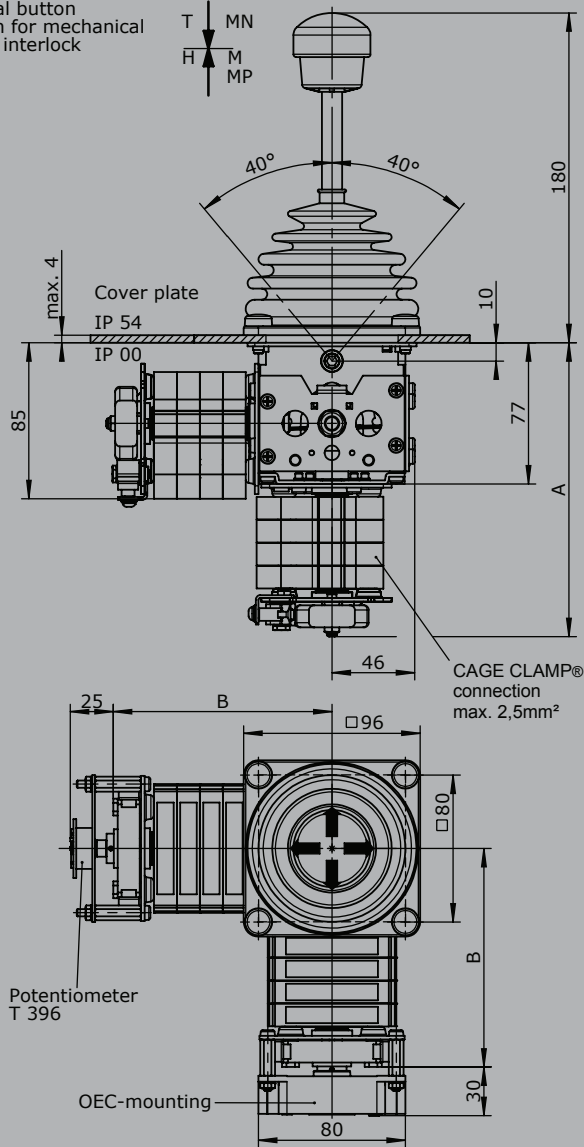
Indicating labels

Indicating labels with engraving

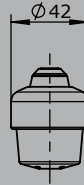
1

# Multi-axis controller V6 / VV6

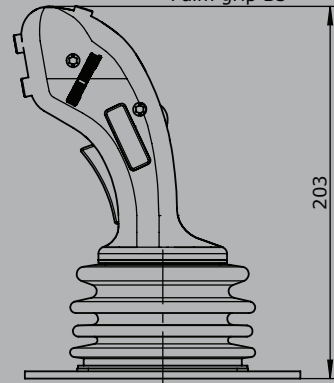
T = Dead man's button  
H = Signal button  
M = Latch for mechanical zero interlock



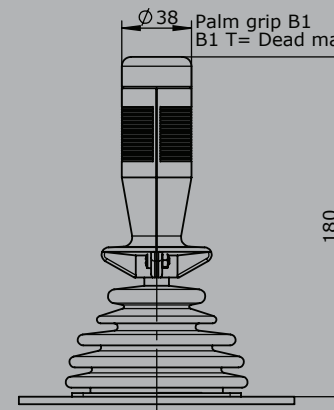
Knob solid  
D = Push button



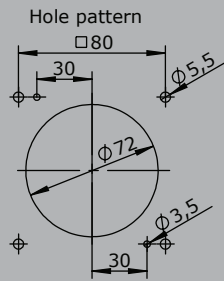
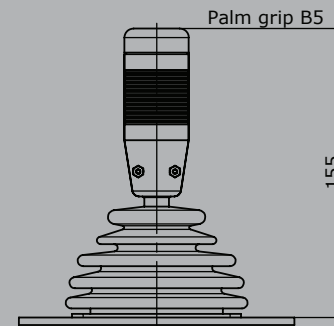
Palm grip B3



Palm grip B1  
B1 T = Dead man's button



Palm grip B5



Type	No. of contacts	Dim. A	Dim. B
01	2	119	82
02	4	131	94
03	6	144	107
04	8	156	119
05	10	169	132
06	12	181	144

